

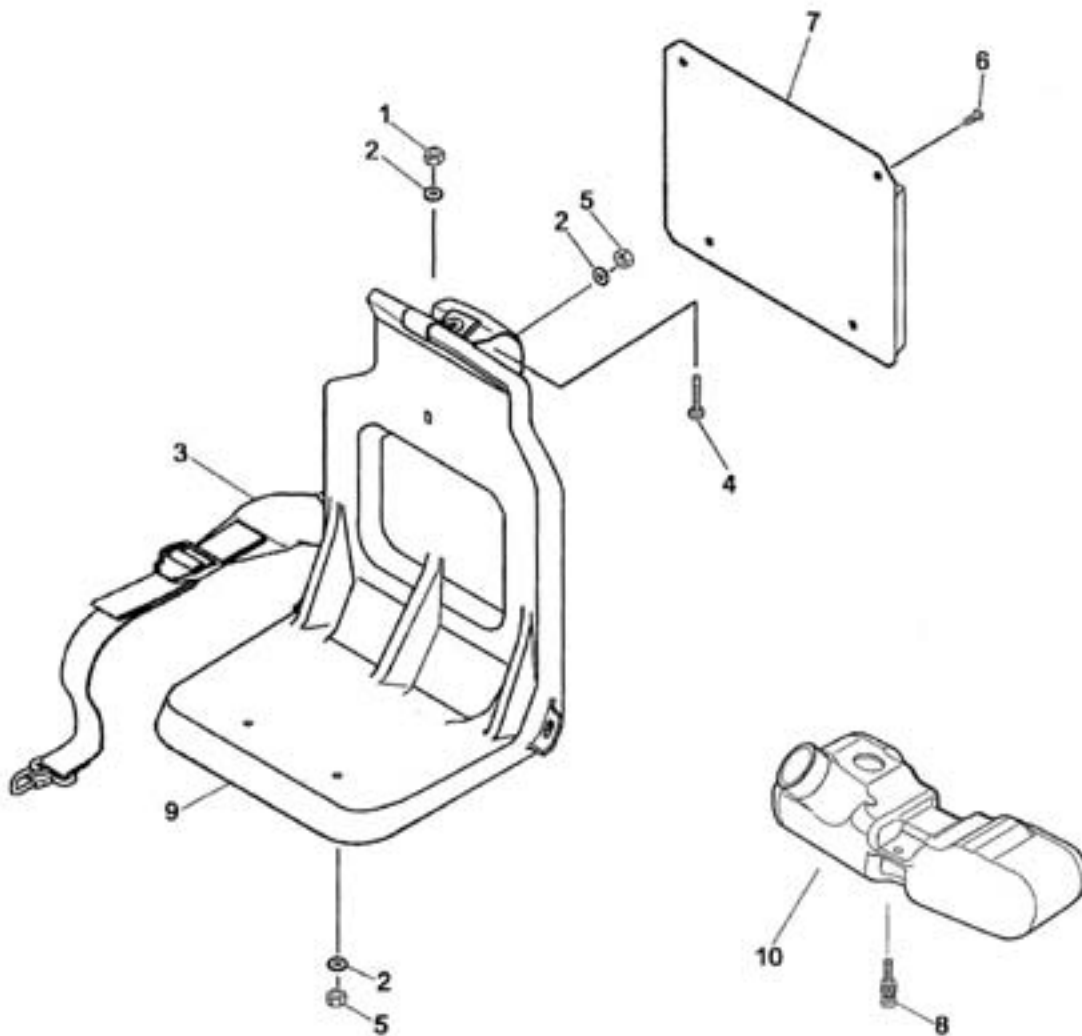


## **SOFFIATORE SARP**

### **BA270K-TH26**

## **ESPLOSO RICAMBI**

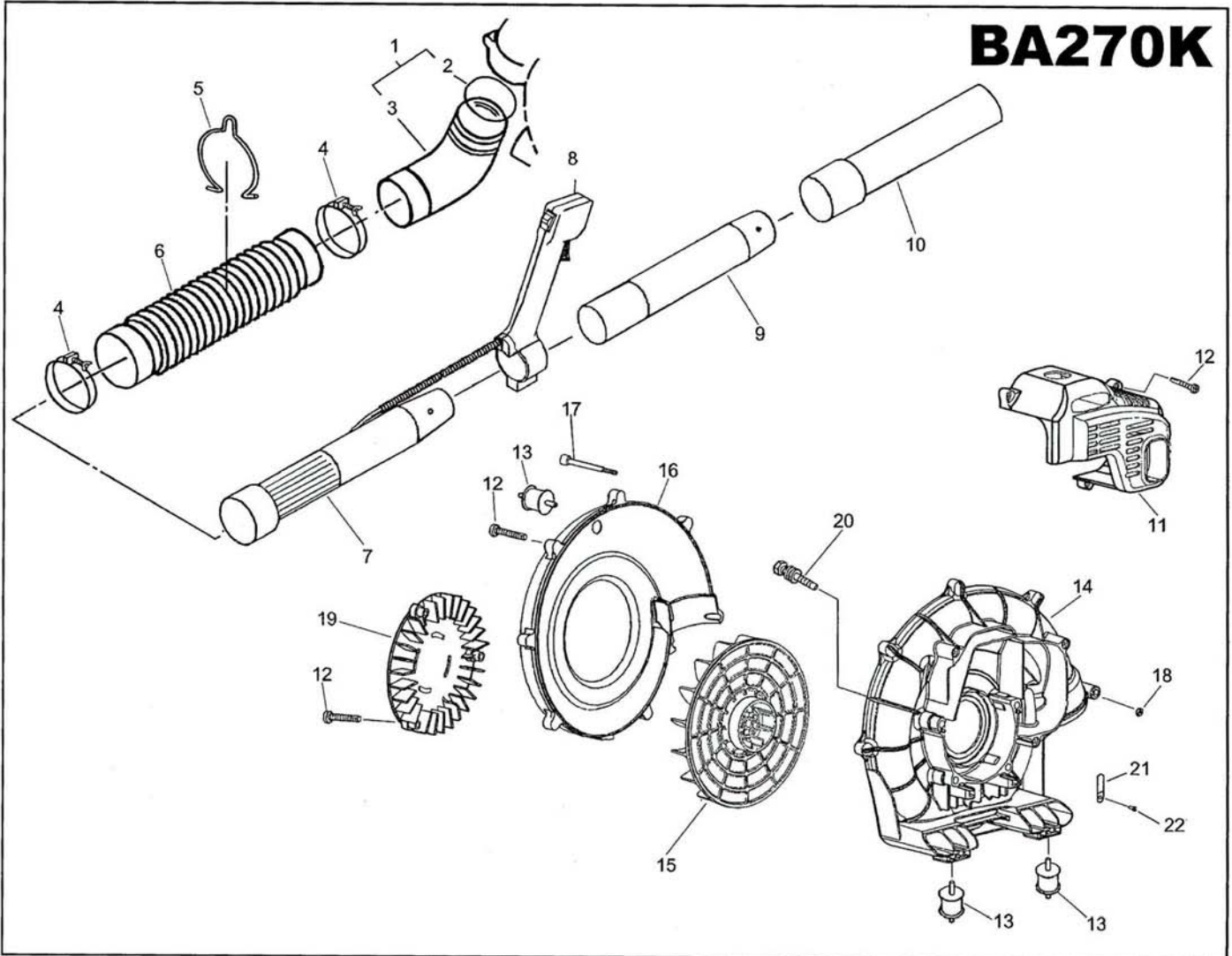
# BA270K



## PARTS LIST

REF. NO.	PARTS NO.	PARTS NAME	Q'TY	APR.02.2004		1/1
				INCLUDING	PRICE (¥)	RECOMM. (%)
1	569L 0600	FLANGE NYLON NUT M6	1			
2	68036 125	WASHER	4			
3	36063 203	SHOULDER BAND	1			
4	376L 0616	(+)TRUSS SCREW M6×16	1			
5	572L 0600	NYLON NUT M6	3			
6	68027 114	CLIP	4			
7	91027 136	KNAPSACK PAD	1			
8	389L 0518	(+)SCREW(W/SW,PW) M5×18	3			
9	36122 125	KNAPSACK FRAME	1			
10	36066 118	FUEL TANK	1			

# BA270K



## PARTS LIST

NO.	PARTS NO.		PARTS NAME	Q'TY	APR.02.2004		1/1
					PRICE	RECOMM.	REMARKS
				INCLUDING	(¥)	(%)	
1	71214	103	ELBOW PIPE C.P.	1			
2	212B	7000	O-RING	1			
3	36086	105	ELBOW PIPE	1			
4	68031	120	HOSE BAND	2			
5	68026	106	WIRE CLAMP	1			
6	36084	101	FLEX. PIPE	1			
7	36087	106	BASE PIPE	1			
8	71056	259	THROTTLE LEVER ASS'Y	1			
9	36088	108	MIDDLE PIPE	1			
10	36097	146	PIPE	1			
11	36065	441	COVER	1			
12	464L	0520	(+)TAPPING SCREW M5×20	12			
13	36005	183	VIBRO-ISOLATING RUBBER	3			
14	51123	216	FAN CASE	2			
15	51125	117	FAN	1			
16	51123	215	FAN CASE	3			
17	412U	0565	SOCKET SCREW M5×65	2			
18	572L	0500	NYLON NUT M5	2			
19	36083	106	FAN COVER	1			
20	315L	0525	HEX.BOLT(W/SW,PW) M5×25	4			
21	68027	109	CLIP	1			
22	464L	0508	(+)TAPPING SCREW	1			